

Base6 LED Low Profile Beacon

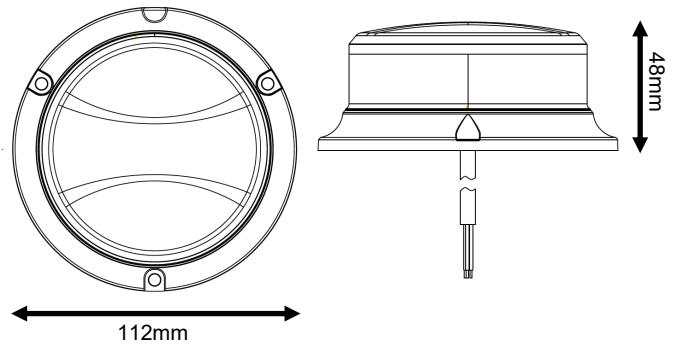
Product Description

The Base6 Low Profile LED Beacon is a great alternative to the traditional halogen rotating beacons. It has no moving parts and a simulated rotating flash pattern. Being Class1 Approved means these beacons are suitable for use on main roads as well as building sites.



Specification

Input Voltage	12-30VDC
Dimensions	H: 48mm W: 112mm
Operating Temp	-40°C to + 65°C
IP Rating	IP67
Approvals	EMC ECE R65 / R10 / SAE J845 Class 1
Materials	Solid Aluminium Base Polycarbonate Lenses
Warranty	3 Years Manufacturer Warranty



Product Numbers

SKU	Lens Colour	LED Colour
B6BLPSMAA	Amber	Amber
B6BLPSMBB	Blue	Blue
B6BLPSMRR	Red	Red



Flash Patterns

#	Pattern	Cycle	#	Pattern	Cycle
1	Single (ECE/SAE)	480ms	2	Single	800ms
3	Double	400ms	4	Double	800ms
5	Triple	820ms	6	Quad	820ms
7	F&B Half	400ms	8	F&B Half	800ms
9	Rotated	800ms	10		

RED	Positive
WHITE	Earth
BROWN	Pattern Change (Touch to Positive)

OzLED

07 3205 4355
sales@ozled.com.au
www.ozled.com.au